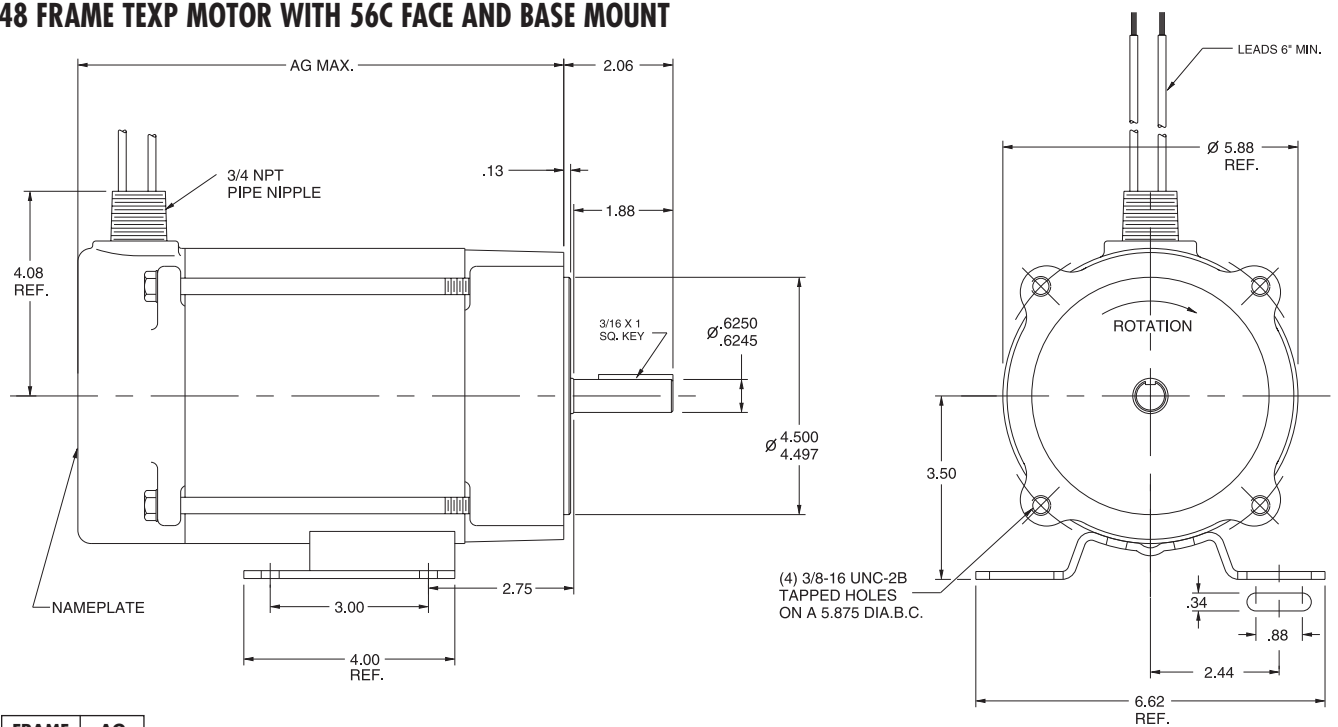
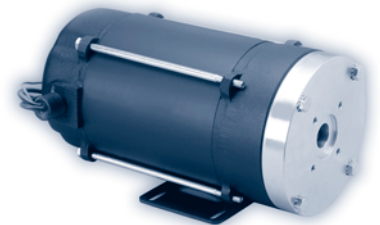


48 FRAME TEXP MOTOR WITH 56C FACE AND BASE MOUNT



FRAME	AG
A48	6.70
B48	7.70
C48	8.58
D48	10.20



TYPICAL MOTOR DATA - OTHER RATINGS AVAILABLE UPON REQUEST

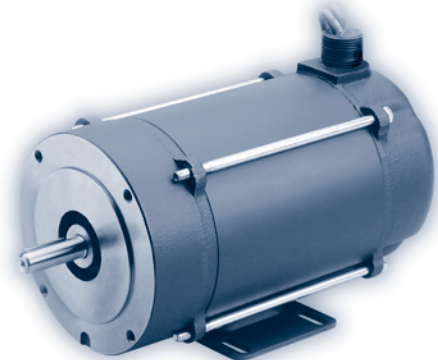
HP	RPM	VOLTS	FULL LOAD AMPS	LOCKED ROTOR AMPS	MAXIMUM ALLOW. AMPS	FULL LOAD TORQUE LB. FT.	LOCKED ROTOR TORQUE LB. FT.	DUTY	FRAME
0.125	1750	12	10.0	85	140	0.375	3.5	CONT	A-48
0.125	1750	24	5.0	40	80	0.375	3.5	CONT	A-48
0.250	1750	12	20.0	170	275	0.750	7.0	CONT	B-48
0.250	1750	24	10.0	85	140	0.750	7.0	CONT	B-48
0.333	1750	24	13.5	110	185	1.000	11.0	CONT	C-48
0.500	1750	24	20.0	300	400	1.500	16.0	CONT	D-48
0.500	3500	24	20.0	600	800	0.750	20.0	INT	C-48
0.750	3500	24	30.0	700	900	1.125	23.0	INT	D-48
1.000	1750	24	40.0	850	1000	3.000	20.0	INT	D-56

PM MOTOR RATING CHART - TEXP FOR PURE D.C. POWER 12, 24, OR 36 VOLTS

HP	FULL LOAD RPM				
	2500	1725/1750	1140/1150	850	650

1/20 (.050)	A 48	A 48	A 48	A 48	A 48
1/15 (.067)	A 48	A 48	A 48	A 48	A 48
1/12 (.83)	A 48	A 48	A 48	A 48	A 48
1/8 (.125)	A 48	A 48	A 48	B 48	B 48
1/6 (.167)	A 48	A 48	B 48	B 48	C 48
1/4 (.25)	B 48	B 48	C 48	D 48	C 56
1/3 (.33)	B 48 #B 56	C 48	D 48	C 56	D 56
1/2 (.50)	B 48 #C 56	D 48 #C 56	D 56	D 56	
3/4 (.75)	D 56 ^D 56	D 56			

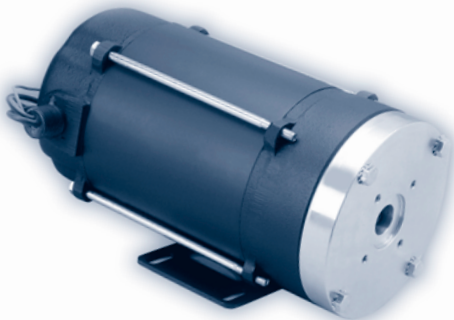
1. All ratings are continuous duty.
2. All ratings are Class "H" insulation - 40 degrees Celsius Ambient.
3. All ratings are based on D.C. Power.
4. All ratings with ^ are not available in 12 volts.
5. All ratings with # require 56 frame for 12 volts and 48 frame for 24 volts or higher.



PM MOTOR RATING CHART - TEXP FOR FULL WAVE RECTIFIED POWER 90 OR 180 VOLTS

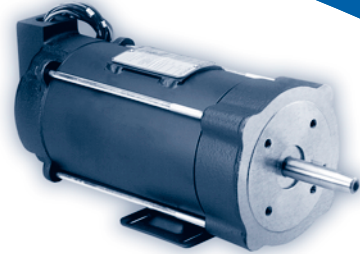
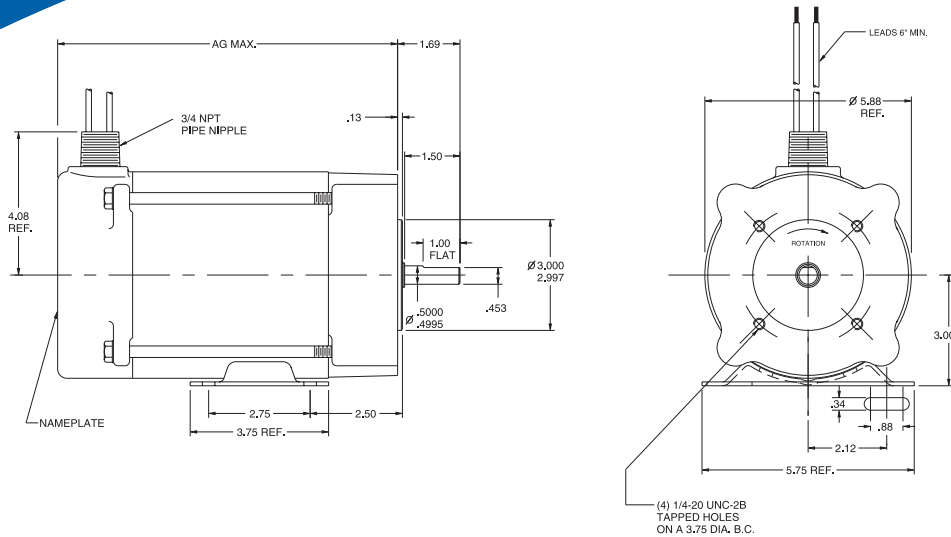
HP	FULL LOAD RPM				
	2500	1725/1750	1140/1150	850	650

1/20 (.050)	A 48	A 48	A 48	A 48	B 48
1/15 (.067)	A 48	A 48	A 48	A 48	B 48
1/12 (.83)	A 48	A 48	A 48	B 48	B 48
1/8 (.125)	A 48	B 48	B 48	C 48	D 48
1/6 (.167)	A 48	B 48	B 48	D 48	C 56
1/4 (.25)	B 48	C 48	D 48	C 56	D 56
1/3 (.33)	C 48	D 48	C 56	D 56	
1/2 (.50)	D 48	D 56	D 56		



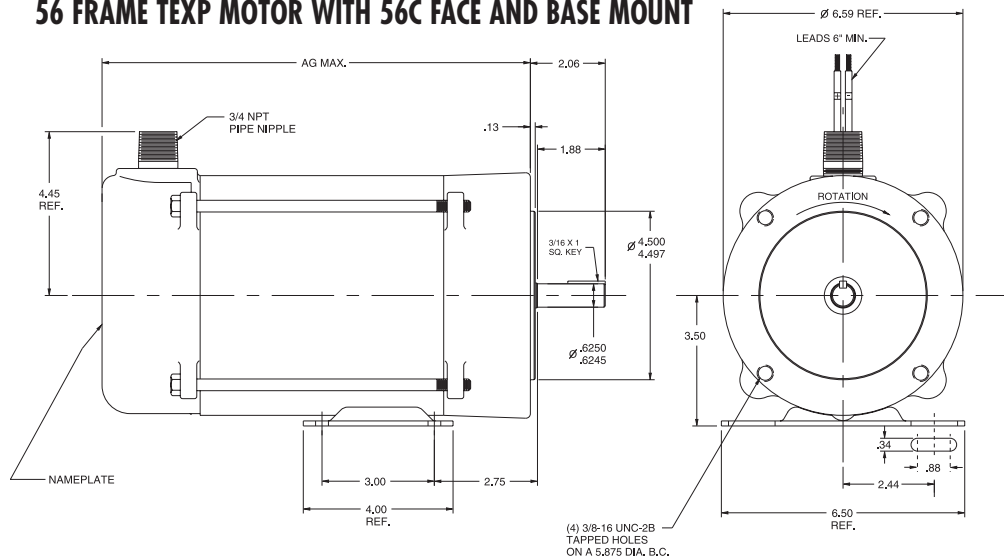
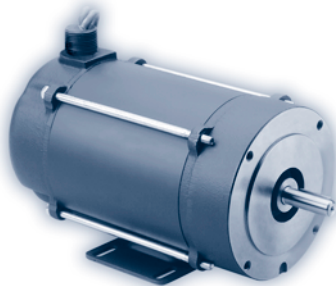
1. All ratings are continuous duty.
2. All ratings are Class "H" insulation - 40 degrees Celsius Ambient.
3. All ratings are based on D.C. Power.

48 FRAME TEXP MOTOR WITH 48C FACE AND BASE MOUNT



FRAME	AG
A48	6.70
B48	7.70
C48	8.58
D48	10.20

56 FRAME TEXP MOTOR WITH 56C FACE AND BASE MOUNT



FRAME	AG
A56	8.04
B56	8.92
C56	9.79
D56	11.42

For further assistance with our motor products, visit us on-line at
www.ohioelectricmotors.com
 and/or contact our sales/technical departments at

Phone: 828/626-2901 • Fax: 828/626-2155

or E-mail: sales@ohioelectricmotors.com
 30 Paint Fork Road, P.O. Box 168 • Barnardville, NC 28709-0168



AFFILIATE OF HBD INDUSTRIES, INC.

Websites: www.ohioelectricmotors.com • www.hbdindustries.com

